


PRODUCT SHEET

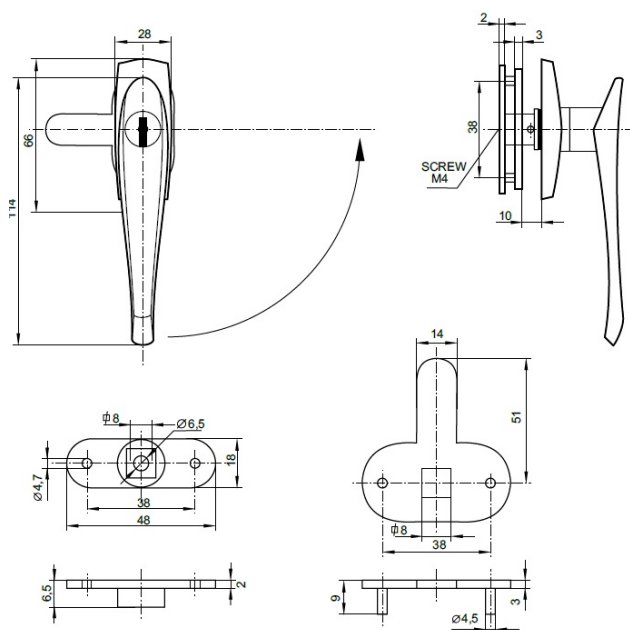
Description:

Lever Handle L-44, Chrome Plated, CK SISO, Cam No. 4, KA D20

Item number:

14.08.037-0

Units	Box	Carton	HS Code	Barcode
Pcs.	10	100	8301300000	
				5704866448949



SISO A/S

Mileparken 11
DK-2740 Skovlunde
Denmark
VAT: DK 24786013

Phone +45 45 830 900

www.siso.dk
siso@siso.dk

Danske Bank
Nytorv Branch
Copenhagen
SWIFT: DABADKKK

Account no.
4180 3112 112936
IBAN Account
DK7230003112112936